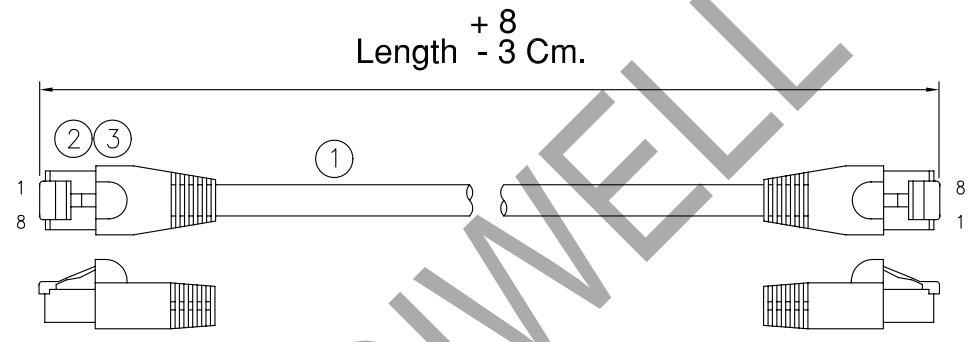


RevNo	Revision note	Date
△		
△		
△		

T-568B PIN OUT		
INSU. COLOR	RJ45PLUG (8P8C)	RJ45PLUG (8P8C)
WHITE	1	1
ORANGE	2	2
LIGHT GREEN	3	3
GREEN	6	6
BLUE	4	4
LIGHT BLUE	5	5
LIGHT BROWN	7	7
BROWN	8	8




LENGTH (METRE) (LL)
0.5 M.
1.0 M.
1.5 M.
2.0 M.
2.5 M.
3.0 M.
4.0 M.
5.0 M.
6.0 M.
7.0 M.
8.0 M.
10.0 M.
15.0 M.
20.0 M.

CC	COLOR
WH	WHITE (UTP 1)
RD	RED (UTP 2)
BK	BLACK (UTP 3)
GN	GREEN (UTP 4)
YW	YELLOW (UTP 5)
BL	BLUE (UTP 6)
BG	BEIGE (UTP 7)
GR	GREY (UTP 77)
OR	ORANGE (UTP 8)
VL	VIOLET (UTP 9)
PK	PINK (UTP 11)

**10002-LLCC**  
**For Example :**  
**10002-1.0WH**

③	BOOTED PVC (MOLD NO. 06065)	2	PCS.
②	RJ45 PLUG 8P8C (104H-2A)	2	PCS.
①	UTP CAT.5E PATCH CABLE E135928-T (UL)		
	CMR 4PR 24AWG PVC JACKET	1	PC.
ITEM	DESCRIPTION	Q'TY	UNIT

Designed by - date	Checked by - date	Approved by - date	Date	Size	Scale
			22/09/2009	A4	-

 HOSIWELL TECHNOLOGY CO., LTD.	Part Name	Cat.5e UTP Patch Cord	Unit	M
	Part No.	10002-LLCC	Issued	1
	Ref. No.		Sheet	
	Used On.		1 of 1	